

**SUBMITTAL DATA: MSY-A24NA & MSY-A24NA**

24,000 BTU/H WALL-MOUNTED AIR-CONDITIONING SYSTEMS

Job Name:	Location:	Date:
Purchaser:	Engineer:	
Submitted to:	For <input type="checkbox"/> Reference <input type="checkbox"/> Approval <input type="checkbox"/> Construction	
Unit Designation:	Schedule No.:	

**GENERAL FEATURES**

- Wall-mounted indoor unit for residential applications
- Compact side discharge outdoor unit
- Zone control
- Quiet operation for both indoor and outdoor units
- "Powerful Mode" function permits system to temporarily run at a lower/higher temperature with an increased fan speed, which quickly brings the room to the optimum comfort level
- Wireless remote controller is included
- Indoor unit powered from outdoor unit using A-Control
- Automatic restart following a power outage
- Self-check function — onboard diagnostics
- Dry Mode function is standard
- Limited warranty: one year on parts and defects and six years on the compressor

**OPTIONAL ACCESSORIES**
**Indoor Unit**

- M-NET Control Adapter (MAC-3991F)
- MA Contact Terminal Interface (MAC-3971F)
- Wired Remote Controller (PAR-21MAA; requires MAC-3971F)
- Condensate Pump (230V; SI3100-230)
- Anti-allergy Enzyme Filter (MAC-2300FT)
- Three-pole Disconnect Switch (TAZ-MS303)

**Cooling\***

Rated Capacity ..... 22,000 Btu/h  
 Minimum Capacity ..... 4,400 Btu/h  
 SEER ..... 16.0  
 Total Input ..... 2,880 W  
 \* Rating Conditions (Cooling) - Indoor: 80°F (27°C) DB, 67°F (19°C) WB;  
 Outdoor: 95°F (35°C) DB, 75°F (24°C) WB.

Power Supply ..... 208 / 230V, 1-Phase, 60 Hz  
 Breaker Size ..... 20 A

**Voltage**

Indoor - Outdoor S1-S2 ..... AC 208 / 230V  
 Indoor - Outdoor S2-S3 ..... DC 12-24V  
 Indoor - Remote Controller ..... Wireless

**OPERATING RANGE**

		Indoor Intake Air Temp.	Outdoor Intake Air Temp.
Cooling	Maximum	90°F (32°C) DB, 73°F (23°C) WB	115°F (46°C) DB
	Minimum	67°F (19°C) DB, 57°F (14°C) WB	14°F (-10°C) DB



Indoor Unit: MSY-A24NA



Outdoor Unit: MUY-A24NA



Wireless Remote Controller

**Indoor Unit**

MCA ..... 1.0 A  
 Fan Motor ..... 0.76 F.L.A.  
 Airflow (Lo - Med - Hi - Powerful)  
 Cooling ..... 296 - 431 - 568 - 624 Dry CFM  
 265 - 385 - 508 - 558 Wet CFM

**Sound Pressure Level (Lo - Med - Hi - Powerful)**

Cooling ..... 34 - 40 - 49 - 51 dB(A)

DIMENSIONS	UNIT INCHES / MM
W	43-5/16 / 1,100
D	10-1/4 / 260
H	12-13/16 / 325

Weight ..... 37 lbs. / 17 kg  
 External Finish ..... Munsell No. 3Y 7.8 / 1.1  
 Field Drainpipe Size O.D. .... 5/8" / 15.88 mm  
 Remote Controller ..... Wireless

**Outdoor Unit**

Compressor ..... DC-driven Inverter Twin Rotary  
 MCA ..... 17 A  
 Fan Motor ..... 0.93 F.L.A.  
 Sound Pressure Level  
 Cooling ..... 55 dB(A)

DIMENSIONS	INCHES / MM
W	33-1/16 / 840
D	13 / 330
H	33-7/16 / 849

Weight ..... 128 lbs. / 58 kg  
 External Finish ..... Munsell 3Y 7.8 / 1.1

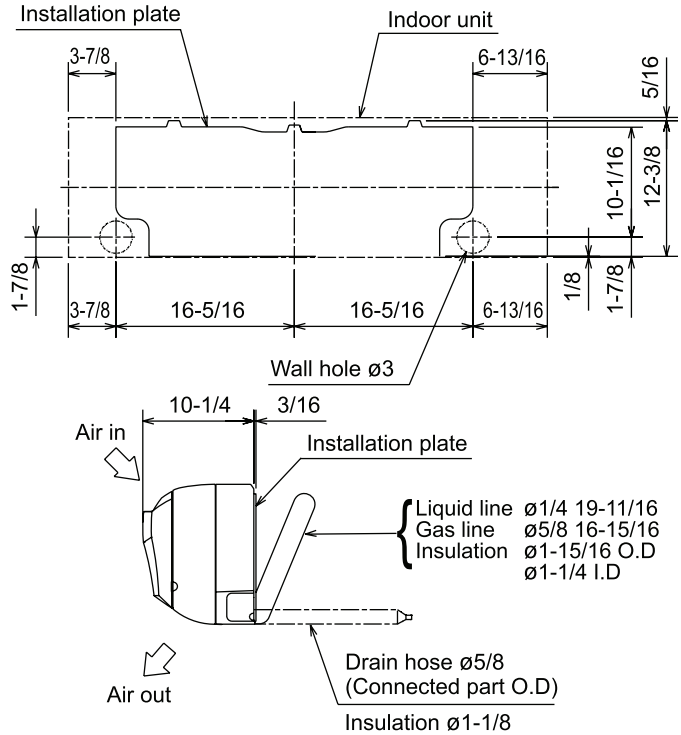
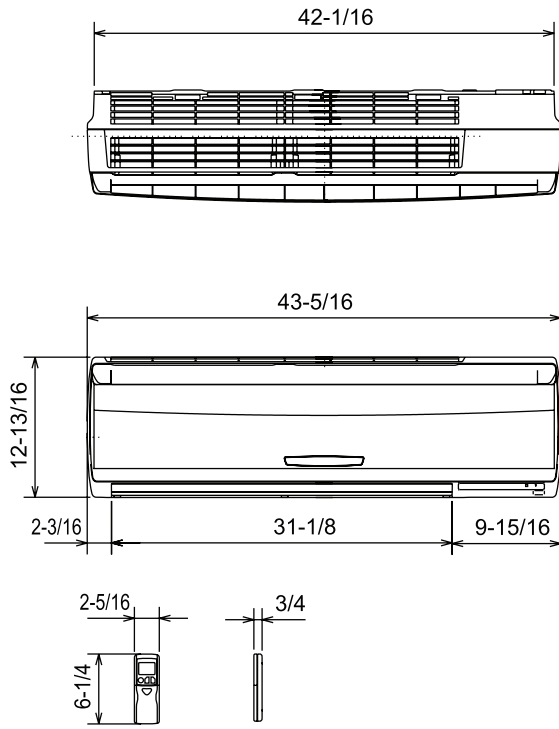
Refrigerant Type ..... R410A  
 Refrigerant Pipe Size O.D.  
 Gas Side ..... 5/8" / 15.88 mm  
 Liquid Side ..... 1/4" / 6.35 mm  
 Max. Refrigerant Pipe Length ..... 100 ft. / 30 m  
 Max. Refrigerant Pipe Height Difference ..... 50 ft. / 15 m  
 Connection Method ..... Flared



# DIMENSIONS: MSY-A24NA & MUY-A24NA

**MSY-A24NA**

**Unit: inch**



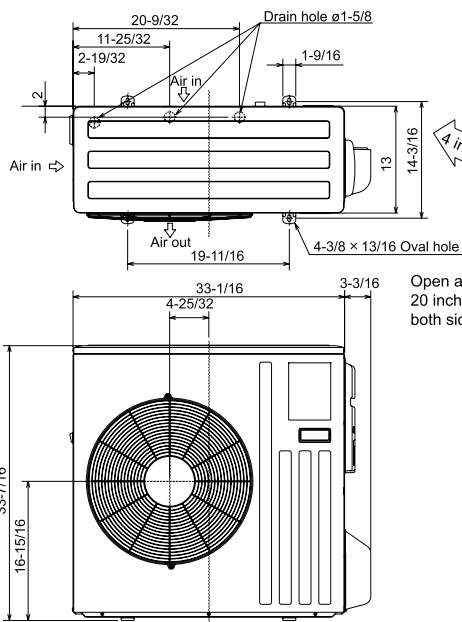
Wireless remote controller

**MUY-A24NA**

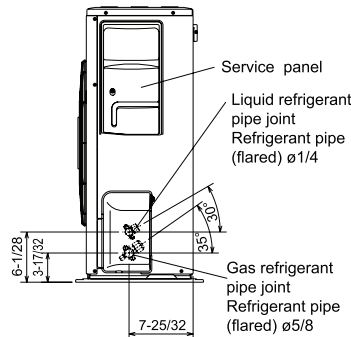
**REQUIRED SPACE**

Open as a rule 20 inch or more if the front and both sides are open

**Unit: inch**



Open as a rule 20 inch or more if the back, both sides and top are open



**HVAC Advanced Products Division**  
3400 Lawrenceville Suwanee Rd  
Suwanee, GA 30024  
Tele: 678-376-2900 • Fax: 800-889-9904  
Toll Free: 800-433-4822 (#3)  
www.mehvac.com  
Specifications are subject to change without notice.